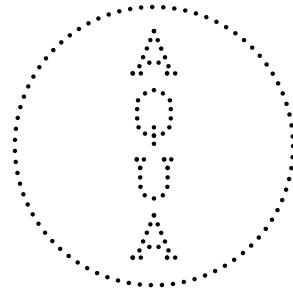


480 Molecules

Floor Lamp



Design by Ofir Zucker & Albi Serfaty in
Collaboration with Origami Artist Ilan Garibi.

Molecules, is a comprehensive lighting
collection based on the origami art of Ilan
Garibi.

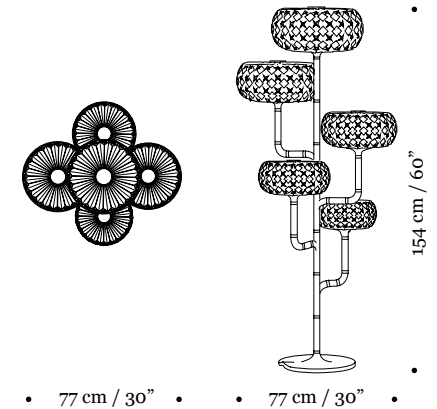
The traditional Japanese art of paper folding
begins with a blank sheet of paper which is
folded and sculpted by hand into tessellations
of individual molecules, with no cuts. The paper
used for the origami lamp shades perfectly
diffuses the light and easily resists the folding. A
complement and contrast at the same time are
the superior wood structures which derive their
shape by digital wood carving. The lamps are
operated and controlled by touch.

In Aqua's tradition, natural materials and
artisanal manufacturing interact with
technology; the result is an elegant and
luxurious lighting collection.



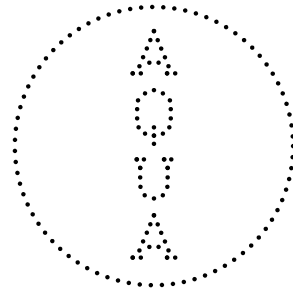
100-240 V Model
75 watt power by LEDs
(4000k neutral white)
Touch switch dimmable (1-100%)
UL listed pending

Dimensions



96 Molecules

Floor Lamp



Design by Ofir Zucker & Albi Serfaty in
Collaboration with Origami Artist Ilan Garibi.

Molecules, is a comprehensive lighting
collection based on the origami art of Ilan
Garibi.

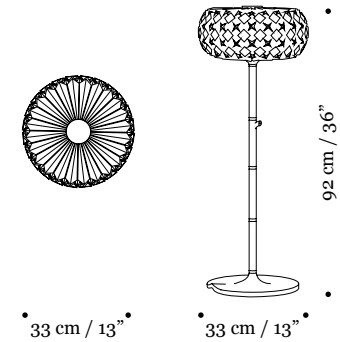
The traditional Japanese art of paper folding
begins with a blank sheet of paper which is
folded and sculpted by hand into tessellations
of individual molecules, with no cuts. The paper
used for the origami lamp shades perfectly
diffuses the light and easily resists the folding. A
complement and contrast at the same time are
the superior wood structures which derive their
shape by digital wood carving. The lamps are
operated and controlled by touch.

In Aqua's tradition, natural materials and
artisanal manufacturing interact with
technology; the result is an elegant and
luxurious lighting collection.



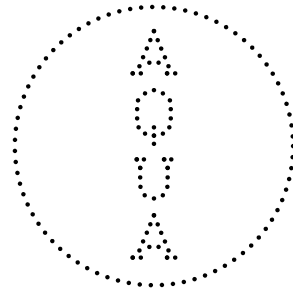
100-240 V Model
15 watt power by LEDs
(4000k neutral white)
Touch switch dimmable (1-100%)
UL listed pending

Dimensions



96 Molecules

Tall Floor Lamp



Design by Ofir Zucker & Albi Serfaty in
Collaboration with Origami Artist Ilan Garibi.

Molecules, is a comprehensive lighting
collection based on the origami art of Ilan
Garibi.

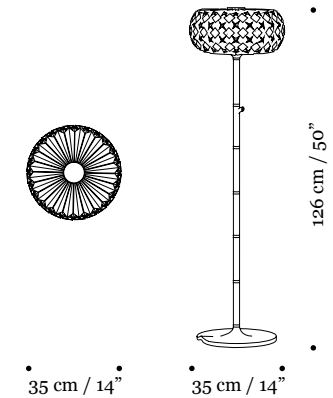
The traditional Japanese art of paper folding
begins with a blank sheet of paper which is
folded and sculpted by hand into tessellations
of individual molecules, with no cuts. The paper
used for the origami lamp shades perfectly
diffuses the light and easily resists the folding. A
complement and contrast at the same time are
the superior wood structures which derive their
shape by digital wood carving. The lamps are
operated and controlled by touch.

In Aqua's tradition, natural materials and
artisanal manufacturing interact with
technology; the result is an elegant and
luxurious lighting collection.



100-240 V Model
15 watt power by LEDs
(4000k neutral white)
Touch switch dimmable (1-100%)
UL listed pending

Dimensions



UNICI

MODERN GLASS

CERAMICS

LIGHTING

MURANO CHANDELIERS

ACCESSORIES

FURNITURE

TABLEWARE

OUTDOOR

UNICI

509 N. La Cienega Blvd. West Hollywood, CA 90048 T-310.855.0063

UNICI CASA

9461 Jefferson Blvd. Culver City, CA 90232 T-310.836.2500